



you can hear the difference  
High performance speakers from Swans

HiVi Inc. (USA)  
Swans speaker systems, Inc.  
11630 Goldring Road, Arcadia, CA 91006  
Tel: +1-626-930-0606 Fax: +1-626-930-0609

HiVi Inc. (China)  
Guangzhou Hi-Vi Electrical Appliances Co., Ltd  
No.13, Sansha Industrial Zone, Dongchong Town,  
Panyu District, Guangzhou, China  
Tel: +86-20-3490 1885 Fax: +86-20-3490 1863



**Swans H2**  
Mini Multimedia Speaker System

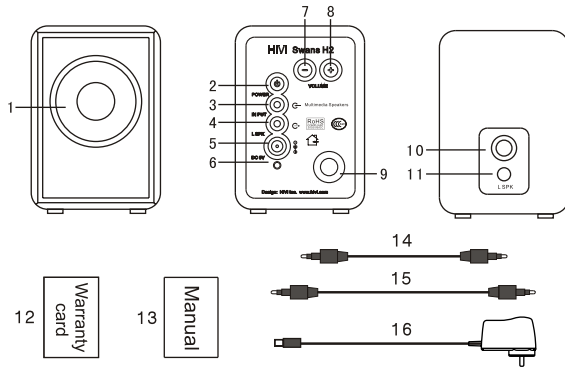
[www.hivi.com](http://www.hivi.com)

## I. Unpacking

This speaker adopts only fine packing material to protect it from damage during shipping. Inside the box, you should find:

- Active speaker: 1 pc
- Passive speaker: 1 pc
- Connection cable: 1 pc
- 3.5 to 3.5mm (mini plug) cable: 2 pcs (1.5 meter, 0.8 meter)
- Manual and warranty card

## II. Electronic diagrams and functions:



- |                                   |                                      |
|-----------------------------------|--------------------------------------|
| 1. Speakers                       | 9. Active speaker port               |
| 2. Power switch                   | 10. Passive speaker port             |
| 3. Audio signal OUTPUT connection | 11. Passive speaker INPUT connection |
| 4. Audio signal INPUT connection  | 12. Warranty card                    |
| 5. Power source plug              | 13. Manual                           |
| 6. Power light                    | 14. 3.5 to 3.5mm (mini plug) cable   |
| 7. Volume control key "-"         | 15. 3.5 to 3.5mm (mini plug) cable   |
| 8. Volume control key "+"         | 16. Power socket                     |

## III. Speaker placement

Place active speaker on the right hand side of the listening area, passive speaker on the left hand side. The speakers distance should be on a surface more than 70cm apart. This will produce a natural sound field. You may need to adjust the distance and angle to get the best stereo image and sound field.

## IV. Speaker connection

### 1. Operating instructions:

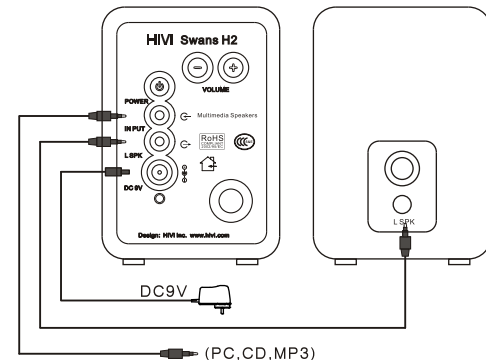
a) Speaker connection-Insert the ends of the 3.5- 3.5mm cable into the speaker out put of the active speaker, and the speaker input of the passive speaker. Make sure the pins are fully inserted to avoid loose connections.

b) Connect with computer-Insert the ends of another 3.5-3.5mm cable into the audio input terminal of the active speaker, and the output of your computer sound card.

c) Power connection Make sure the power switch is off, then plug the power cable into an available power outlet.

d) Double check all that your connections are correct, then turn the power switch on.

### 2. Connection diagrams



## V. Maintenance

Swans H2 can be operated under normal conditions without requiring any maintenance. Avoid using any corrosive liquids or gasses on the surface of the speakers and drivers. Do not place in high temperatures, high humidity, or areas with dramatic changes in the temperature or humidity. Do not place in direct sunlight for extended periods of time. To clean, use a soft, dry cloth to remove dust. Use a mild detergent with a damp cloth to remove dirt.



Do not place it under the sunshine for a long time



Avoid corrosive liquid and gases



Do not place it in the high temperature or moist place for a long time



Avoid magnetizing disturbance

## VI. Trouble Shooting

### 1. Problems with sound quality

- Do all drivers have sound? Is there a problem with the speaker?
- Is the audio cable securely connected to the speaker and the output of the computer or disk player?

### 2. No sound at all

- Is the power cable plugged in? Is the power turned on?
- Is the audio cable from your computer damaged? Is it connected to the computer and speaker?
- Check the sound card driver and volume control settings on your computer.

### 3. Only one speaker has sound

- Is the audio cable properly connected?
- Is the audio cable damaged? Check for any short circuits.
- Check the volume control and balance settings on your computer.

## VII. Warranty

If the problems still exist, please contact the local dealer to handle.